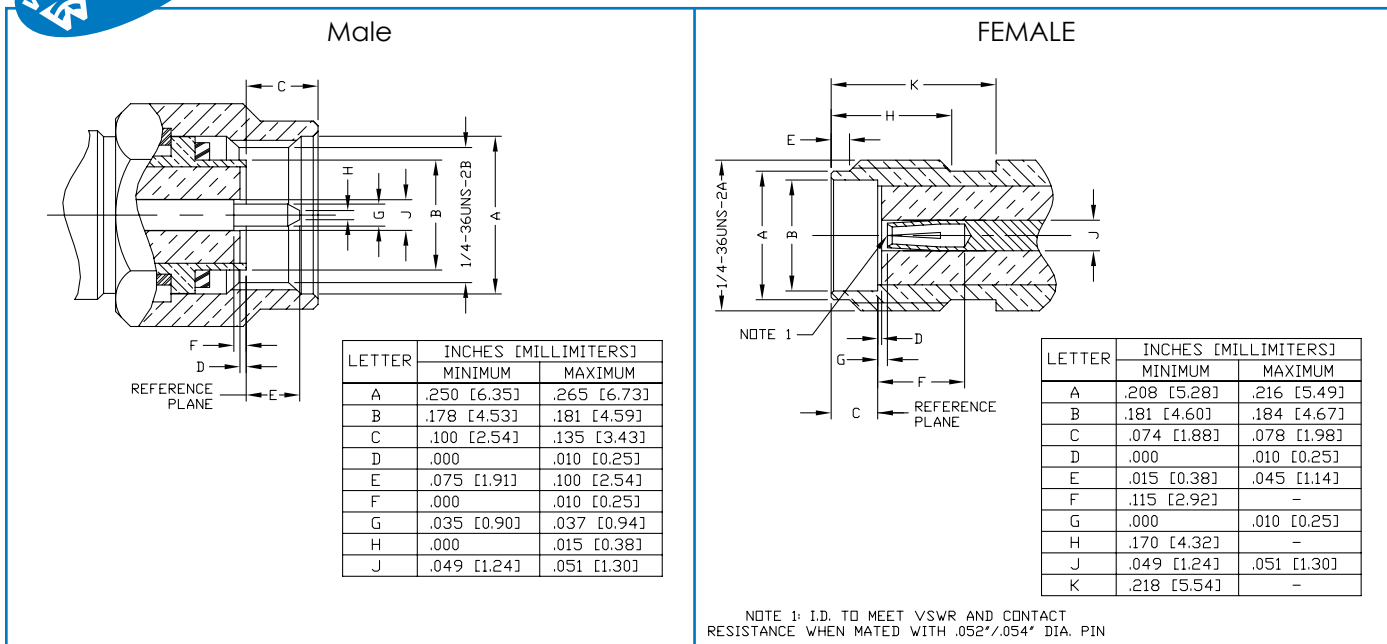


Reverse Polarity
Rev Polarity/Thread
and Reverse Thread
on page 52-57



SPECIFICATIONS	CABLE GROUPS	
<p>ELECTRICAL SPECIFICATIONS—FLEX CABLE IMPEDANCE: 50 Ω WORKING VOLTAGE RATING: 500 VRMS (RG-58) WORKING VOLTAGE RATING: 375 VRMS (RG-316) FREQUENCY RANGE: 0-12.4 GHZ & 18 GHZ</p> <p>ELECTRICAL SPECIFICATIONS—SEMI-RIGID CABLE IMPEDANCE: 50 Ω WORKING VOLTAGE RATING: 500 VRMS Frequency range: 0-18 GHZ</p> <p>MECHANICAL SPECIFICATIONS MATING: 1/4 - 36UNS THREADED COUPLING INTERFACE: MIL-STD-348A, SECTION 310 CABLING: CLAMP, CRIMP AND SOLDER</p> <p>PLATING G - GOLD N - NICKEL SS - STAINLESS STEEL</p> <p>DIELECTRIC MATERIAL T - TEFLON</p>	GRP	FOR THESE CABLE TYPES
	A	RG-178, 178A, 178B, 196, 196A/U; BELDEN 83265
	B	TIMES LMR-100A; RG-174, 188, 188A, 316/U; ALPHA 9174, 9316; BELDEN 7805A, 8216, 83269, 83284, 84316; COMMSCOPE AMC-174, WBC-100
	B1	RG-316/U DOUBLE SHIELD; RD-316; BELDEN 83269; COLEMAN 1596
	C	TIMES LMR-195; RG-58, 58A, 58C, 141, 141A/U; ANDREW CNT-195, CNT-195-DB, CNT-195-FR; BELDEN 7806A, 8219, 8240, 8259, 8262, 9201, 9203, 9310, 9311; COMMSCOPE WBC-195, WBC-195R, 0268, TCOM-195, TCOM-195-FR; HARBOUR HPF195
	C1	RG-55, 55A, 55B, 142, 142A, 142B, 223, 400/U; ALPHA 9055, 9055B, 9223; BELDEN 7806A, 83242, 84142
	C2	TIMES LMR-200, MSI-22; ALPHA 9848; BELDEN 7807A; COMMSCOPE AMC-58LL, WBC-200, WBC-200R, TCOM-200, TCOM-200-FR; HARBOUR HPF200
	I	TIMES AA-5886, AA-6146, LMR-400, LMR-400 ULTRAFLEX; ANDREW CNT-400, CNT-400AL, CNT-400-DB, CNT-400-FR, CNT-400-FRP; BELDEN 7810A, 8214, 9913; COMMSCOPE TCOM-400, TCOM-400-FR, TCOM-400-PUR, WBC-400, WBC-400R, CUSHCRAFT ULTRALINK TL93605; HARBOUR HPF400
	M	TIMES MSI-15; RG-122/U; BELDEN 82907, 88240, 89907; MOTOROLA WHITE TEFLON
	SR0	.047 SEMI RIGID; M17/151
	SR1	.085 SEMI RIGID; RG-405/U; BELDEN 1671A; RD-179
	SR2	.141 SEMI RIGID; RG-402/U; BELDEN 1673A
	X	TIMES LMR-240, LMR-240 ULTRAFLEX; RG-8X; ANDREW CNT-240, CNT-240AL, CNT-240ALS, CNT-240-DB, CNT-240-FR, CNT-240-W; BELDEN 9258; COMMSCOPE TCOM-240, TCOM-240-FR, WBC-240, WBC-240R; HARBOUR HPF240; MICRO 8/U; REMEE 1600; SAXTON 8315
FOR A MORE EXTENSIVE LISTING OF CABLE GROUPS, PLEASE REFER TO PAGES 134-145		



PHOTOS FOR REFERENCE ONLY, SHOWN AT 100% ACTUAL SIZE.

FOR MOUNTING CONFIGURATIONS REFER TO PAGES 149-164



FIG. 5
RSA-3000-7, -X

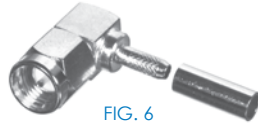


FIG. 6
RSA-3010-1B, -1B-04,
-1B1, -B, -B1, B-SS



FIG. 7
RSA-3010-1C, -1C1,
-7, -C, -C1, C2, -X



FIG. 8
RSA-3050-1B,
-1B1, -B, -B1

PHOTOS FOR REFERENCE ONLY, SHOWN AT 100% ACTUAL SIZE.

FOR MOUNTING CONFIGURATIONS REFER TO PAGES 149-164

PART #	FIG	DESCRIPTION	CBL GRP	NOTES	PLATING			RECOM- MENDED TOOL
					BDY	P/C	DIE	
RSA-3000-1B	1	MALE CRIMP	B	FOR RG-174/U	G	G	T	RFA-4009-204 & RFA-4089
RSA-3000-1B-03	1	MALE CRIMP	B	FOR RG-174/U	SS/G	G	T	RFA-4009-204
RSA-3000-1B1	1	MALE CRIMP	B1	FOR RG-316/U DOUBLE SHIELD	G	G	T	RFA-4009-204 & RFA-4089
RSA-3000-1C	2	MALE CRIMP	C	FOR RG-58/U	G	G	T	RFA-4009-206
RSA-3000-1C-03	3	MALE CRIMP	C	FOR RG-58/U, W/ SHRINK TUBE	G	G	T	RFA-4009-206
RSA-3000-1C1	2	MALE CRIMP	C1	FOR RG-142/U	G	G	T	RFA-4009-206
RSA-3000-1C2	2	MALE CRIMP	C2	FOR LMR-200	G	G	T	RFA-4009-206
RSA-3000-7	5	MALE CRIMP	C3, M	FOR PLENUM RG-58/U, MOTOROLA WHITE CABLE	N	G	T	RFA-4009-206
RSA-3000-A	1	MALE CRIMP	A	FOR RG-178/U	N	G	T	RFA-4009-204 & RFA-4089
RSA-3000-B	1	MALE CRIMP	B	FOR RG-174/U	N	G	T	RFA-4009-204 & RFA-4089
RSA-3000-B1	1	MALE CRIMP	B1	FOR RG-316/U DOUBLE SHIELD	N	G	T	RFA-4009-204 & RFA-4089
RSA-3000-B-SS	1	MALE CRIMP	B	FOR RG-174/U	SS	G	T	RFA-4009-204 & RFA-4089
RSA-3000-C	2	MALE CRIMP	C	FOR RG-58/U	N	G	T	RFA-4009-206
RSA-3000-C1	2	MALE CRIMP	C1	FOR RG-142/U	N	G	T	RFA-4009-206
RSA-3000-C2	2	MALE CRIMP	C2	FOR TIMES LMR-200	N	G	T	RFA-4005-400
RSA-3000-I	4	MALE CRIMP	I	FOR BELDEN 9913 & TIMES LMR-400	N	G	T	RFA-4009-205
RSA-3000-X	5	MALE CRIMP	X	FOR RG-8X & TIMES LMR-240	N	G	T	RFA-4009-203
RSA-3010-1B	6	MALE RIGHT ANGLE CRIMP	B	FOR RG-174/U	G	G	T	RFA-4009-204
RSA-3010-1B-04	6	MALE RIGHT ANGLE CRIMP	B	FOR RG-174/U	SS/G	G	T	RFA-4009-204
RSA-3010-1B1	6	MALE RIGHT ANGLE CRIMP	B1	FOR RG-316/U DOUBLE SHIELD	G	G	T	RFA-4009-204
RSA-3010-1C	7	MALE RIGHT ANGLE CRIMP	C	FOR RG-58/U	G	G	T	RFA-4009-206
RSA-3010-1C1	7	MALE RIGHT ANGLE CRIMP	C	FOR RG-58/U	G	G	T	RFA-4009-206
RSA-3010-B	6	MALE RIGHT ANGLE CRIMP	B	FOR RG-174/U	N	G	T	RFA-4009-204
RSA-3010-B1	6	MALE RIGHT ANGLE CRIMP	B1	FOR RG-316/U DOUBLE SHIELD	N	G	T	RFA-4009-204
RSA-3010-B-SS	6	MALE RIGHT ANGLE CRIMP	B	FOR RG-316/U	SS	G	T	RFA-4009-204
RSA-3010-C	7	MALE RIGHT ANGLE CRIMP	C	FOR RG-58/U	N	G	T	RFA-4009-206
RSA-3010-C1	7	MALE RIGHT ANGLE CRIMP	C1	FOR RG-142/U	N	G	T	RFA-4009-206
RSA-3010-C2	7	MALE RIGHT ANGLE CRIMP	C2	FOR TIMES LMR-200	N	G	T	RFA-4009-206
RSA-3010-X	7	MALE RIGHT ANGLE CRIMP	X	FOR RG-8X & TIMES LMR-240	N	G	T	RFA-4009-203
RSA-3010-7	7	MALE RIGHT ANGLE CRIMP	C3, M	FOR MOTOROLA WHITE TEFLON, BELDEN 89907	N	G	T	RFA-4009-206
RSA-3010-7-B	7	MALE RIGHT ANGLE CRIMP	B	STAINLESS STEEL NUT WITH GOLD BODY, FOR RG-174/U	SS	G	T	RFA-4009-204
RSA-3050-1B	8	FEMALE CRIMP	B	FOR RG-174/U	G	G	T	RFA-4009-204
RSA-3050-1B1	8	FEMALE CRIMP	B1	FOR RG-316/U DOUBLE SHIELD	G	G	T	RFA-4009-204



FIG. 9
RSA-3050-1C, -1C1,
-1C2, -C, -C1



FIG. 10
RSA-3050-C2



FIG. 11
RSA-3050-X



FIG. 12
RSA-3100-B



FIG. 13
RSA-3100-C



FIG. 14
RSA-3110-B, -C



FIG. 15
RSA-3200, -1



FIG. 16
RSA-3221



FIG. 17
RSA-3231,
RSA-3232-1



FIG. 18
RSA-3250



FIG. 19
RSA-3251



FIG. 20
RSA-3251-1-10



FIG. 21
RSA-3252-A-4

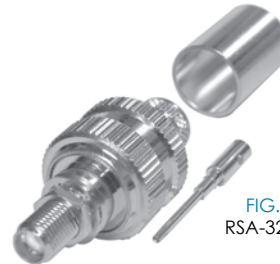


FIG. 22
RSA-3252-11



FIG. 23
RSA-3252-B-03, -B1,
-1B1, A, -B

PHOTOS FOR REFERENCE ONLY, SHOWN AT 100% ACTUAL SIZE.

FOR MOUNTING CONFIGURATIONS REFER TO PAGES 149-164

PART #	FIG	DESCRIPTION	CBL GRP	NOTES	PLATING			RECOM- MENDED TOOL
					BDY	P/C	DIE	
RSA-3050-1C	9	FEMALE CRIMP	C	FOR RG-58/U	G	G	T	RFA-4009-206
RSA-3050-1C1	9	FEMALE CRIMP	C1	FOR RG-142/U	G	G	T	RFA-4009-206
RSA-3050-1C2	9	FEMALE CRIMP	C2	FOR TIMES LMR-200	G	G	T	RFA-4009-206
RSA-3050-B	8	FEMALE CRIMP	B	FOR RG-174/U	N	G	T	RFA-4009-204
RSA-3050-B1	8	FEMALE CRIMP	B1	FOR RG-316/U DOUBLE SHIELD	N	G	T	RFA-4009-204
RSA-3050-C	9	FEMALE CRIMP	C	FOR RG-58/U	N	G	T	RFA-4009-206
RSA-3050-C1	9	FEMALE CRIMP	C1	FOR RG-142/U	N	G	T	RFA-4009-206
RSA-3050-C2	10	FEMALE CRIMP	C2	FOR TIMES LMR-200	N	G	T	RFA-4009-206
RSA-3050-X	11	FEMALE CRIMP	X	FOR RG-8X & TIMES LMR-240	N	G	T	RFA-4009-203
RSA-3100-B	12	MALE CLAMP	B	FOR RG-174/U	N	G	T	
RSA-3100-C	13	MALE CLAMP	C	FOR RG-58/U	N	G	T	
RSA-3110-B	14	MALE RIGHT ANGLE CLAMP	B	FOR RG-174/U	N	G	T	
RSA-3110-C	14	MALE RIGHT ANGLE CLAMP	C	FOR RG-58/U	N	G	T	
RSA-3200	15	MALE BULKHEAD		FRONT MOUNT WITH SOLDER CUP & D-FLAT	N	G	T	
RSA-3200-1	15	MALE BULKHEAD		FRONT MOUNT WITH SOLDER CUP & D-FLAT	G	G	T	
RSA-3221	16	MALE PANEL MOUNT		2 HOLE FLANGE WITH SOLDER CUP	N	G	T	
RSA-3231	17	MALE PANEL MOUNT		4 HOLE FLANGE WITH SOLDER CUP	N	G	T	
RSA-3232-1	18	MALE PANEL MOUNT		4 HOLE FLANGE WITH .126" EXT. DIELECTRIC & .012" DIA. PROBE	G	G	T	
RSA-3250	18	FEMALE BULKHEAD		FRONT MOUNT WITH SOLDER CUP & D-FLAT	N	G	T	
RSA-3251	19	FEMALE CRIMP BULKHEAD		REAR MOUNT WITH SOLDER CUP & D-FLAT	N	G	T	
RSA-3251-1-10	20	FEMALE BULKHEAD		REAR MOUNT WITH SOLDER CUP, HEX FLANGE, D-FLAT & O-RING	G	G	T	
RSA-3252-1B	22	FEMALE CRIMP BULKHEAD	B	REAR MOUNT WITH D-FLAT, FOR RG-174/U	G	G	T	RFA-4009-204
RSA-3252-1B1	23	FEMALE CRIMP BULKHEAD	B1	REAR MOUNT WITH D-FLAT, FOR RG-316/U DOUBLE SHIELD	G	G	T	RFA-4009-204
RSA-3252-1I	22	FEMALE CRIMP BULKHEAD	I	REAR MOUNT WITH D-FLAT, FOR LMR-400	G	G	T	RFA-4009-205
RSA-3252-A	23	FEMALE CRIMP BULKHEAD	A	REAR MOUNT WITH D-FLAT, FOR RG-178/U	N	G	T	RFA-4009-204
RSA-3252-A-4	21	FEMALE CRIMP BULKHEAD	A	REVERSE POLARITY [GENDER], FOR RG-178/U	N	G	T	RFA-4005-400
RSA-3252-B	23	FEMALE CRIMP BULKHEAD	B	REAR MOUNT WITH D-FLAT, FOR RG-174/U	N	G	T	RFA-4009-204
RSA-3252-B-03	23	FEMALE CRIMP BULKHEAD	B	REAR MOUNT WITH GASKET & D-FLAT, FOR RG-174/U	N	G	T	RFA-4009-204
RSA-3252-B1	23	FEMALE CRIMP BULKHEAD	B1	REAR MOUNT W/ D-FLAT, FOR RG-316/U DOUBLE SHIELD	N	G	T	RFA-4009-204



FIG. 24
RSA-3252-C,
-C1, -C2



FIG. 25
RSA-3261



FIG. 26
RSA-3262, -1



FIG. 27
RSA-3268



FIG. 28
RSA-3269



FIG. 29
RSA-3270-C



FIG. 30
RSA-3271



FIG. 31
RSA-3279



FIG. 32
RSA-3279-10



FIG. 33
RSA-3285-03



FIG. 34
RSA-3300, -1



FIG. 35
RSA-3300-1-03
-NL, -NL-03



FIG. 36
RSA-3350, -1



FIG. 37
RSA-3350-2-1



FIG. 38
RSA-3400, -1

PHOTOS FOR REFERENCE ONLY, SHOWN AT 100% ACTUAL SIZE.

FOR MOUNTING CONFIGURATIONS REFER TO PAGES 149-164

PART #	FIG	DESCRIPTION	CBL GRP	NOTES	PLATING			RECOM- MENDED TOOL
					BDY	P/C	DIE	
RSA-3252-C	24	FEMALE CRIMP BULKHEAD	C	REAR MOUNT WITH D-FLAT, FOR RG-58/U	N	G	T	RFA-4009-206
RSA-3252-C1	24	FEMALE CRIMP BULKHEAD	C1	REAR MOUNT WITH D-FLAT, FOR RG-142/U	N	G	T	RFA-4009-206
RSA-3252-C2	24	FEMALE CRIMP BULKHEAD	C2	REAR MOUNT WITH D-FLAT, FOR LMR-200	N	G	T	RFA-4009-206
RSA-3261	25	FEMALE PANEL MOUNT		2 HOLE FLANGE WITH SOLDER CUP	N	G	T	
RSA-3262	26	FEMALE PANEL MOUNT		2 HOLE FLANGE WITH POST TERMINAL	N	G	T	
RSA-3262-1	26	FEMALE PANEL MOUNT		2 HOLE FLANGE WITH POST TERMINAL	G	G	T	
RSA-3268	27	FEMALE PANEL MOUNT		2 HOLE FLANGE WITH .196" EXTENDED DIELECTRIC & POST TERMINAL	N	G	T	
RSA-3269	28	FEMALE PANEL MOUNT		2 HOLE FLANGE WITH .590" EXTENDED DIELECTRIC & POST TERMINAL	N	G	T	
RSA-3270-C	29	FEMALE CRIMP PANEL MOUNT	C	4 HOLE FLANGE, FOR RG-58/U	N	G	T	RFA-4009-206
RSA-3271	30	FEMALE PANEL MOUNT		4 HOLE FLANGE WITH SOLDER CUP	N	G	T	
RSA-3279	31	FEMALE PANEL MOUNT		4 HOLE FLANGE WITH .590" EXTENDED DIELECTRIC & POST TERMINAL	N	G	T	
RSA-3279-10	32	FEMALE PANEL MOUNT		4 HOLE FLANGE WITH .126" EXTENDED DIELECTRIC & POST TERMINAL	G	G	T	
RSA-3285-03	33	FEMALE PANEL MOUNT		4 HOLE RIGHT ANGLE FLANGE WITH POST TERMINAL	N	G	T	
RSA-3300	34	FEMALE RIGHT ANGLE PCB MOUNT			N	G	T	
RSA-3300-1	34	FEMALE RIGHT ANGLE PCB MOUNT			G	G	T	
RSA-3300-1-03	35	FEMALE RIGHT ANGLE BULKHEAD PCB MOUNT			G	G	T	
RSA-3300-NL	35	FEMALE RIGHT ANGLE BULKHEAD PCB MOUNT			G	G	T	
RSA-3300-NL-03	35	FEMALE RIGHT ANGLE BULKHEAD PCB MOUNT			G	G	T	
RSA-3350	36	FEMALE VERTICAL PCB MOUNT			N	G	T	
RSA-3350-1	36	FEMALE VERTICAL PCB MOUNT			G	G	T	
RSA-3350-2-1	37	FEMALE VERTICAL PCB MOUNT		LEGS .245"	G	G	T	
RSA-3400	38	T-ADAPTER		SMA MALE TO DOUBLE SMA FEMALE	N	G	T	
RSA-3400-1	38	T-ADAPTER		SMA MALE TO DOUBLE SMA FEMALE	G	G	T	



FIG. 39
RSA-3401



FIG. 40
RSA-3402, -1



FIG. 41
RSA-3403, -1



FIG. 42
RSA-3404



FIG. 43
RSA-3405, -1



FIG. 44
RSA-3410, -1



FIG. 45
RSA-3500-085, -1-085,
RSA-3505-085-03



FIG. 46
RSA-3500-141,
-1-141, -141-03



FIG. 47
RSA-3510-085,
-1-085



FIG. 48
RSA-3510-141,
-1-141



FIG. 49
RSA-3550-085,
-1-085

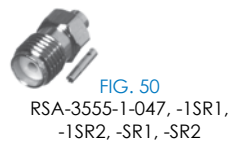


FIG. 50
RSA-3555-1-047, -1SR1,
-1SR2, -SR1, -SR2



FIG. 51
RSA-3560-141, -1-
047, -1-SR1



FIG. 52
RSA-3565-SR2



FIG. 53
RSA-3570-085,
-1-047

PHOTOS FOR REFERENCE ONLY, SHOWN AT 100% ACTUAL SIZE.

FOR MOUNTING CONFIGURATIONS REFER TO PAGES 149-164

PART #	FIG	DESCRIPTION	CBL GRP	NOTES	PLATING			RECOM- MENDED TOOL
					BDY	P/C	DIE	
RSA-3401	39	T-ADAPTER		SMA TRIPLE FEMALE	N	G	T	
RSA-3402	40	RIGHT ANGLE ADAPTER		SMA MALE TO SMA FEMALE	N	G	T	
RSA-3402-1	40	RIGHT ANGLE ADAPTER		SMA MALE TO SMA FEMALE	G	G	T	
RSA-3403	41	ADAPTER		SMA MALE TO SMA MALE	N	G	T	
RSA-3403-1	41	ADAPTER		SMA MALE TO SMA MALE	G	G	T	
RSA-3404	42	ADAPTER		SMA FEMALE TO SMA FEMALE	N	G	T	
RSA-3405	43	ADAPTER		SMA MALE TO SMA FEMALE	N	G	T	
RSA-3405-1	43	ADAPTER		SMA MALE TO SMA FEMALE	G	G	T	
RSA-3410	44	BULKHEAD ADAPTER		SMA FEMALE TO SMA FEMALE WITH D-FLAT	N	G	T	
RSA-3410-1	44	BULKHEAD ADAPTER		SMA FEMALE TO SMA FEMALE WITH D-FLAT	G	G	T	
RSA-3500-085	45	MALE	SR1	FOR .085 SEMI-RIGID CABLE	N	G	T	
RSA-3500-1-085	45	MALE	SR1	FOR .085 SEMI-RIGID CABLE	G	G	T	
RSA-3500-141	46	MALE	SR2	FOR .141 SEMI-RIGID CABLE	N	G	T	
RSA-3500-1-141	46	MALE	SR2	FOR .141 SEMI-RIGID CABLE	G	G	T	
RSA-3500-141-03	46	MALE	SR2	FOR .141 SEMI-RIGID CABLE	SS	G	T	
RSA-3505-085-03	45	MALE	SR1	FOR .085 SEMI-RIGID CABLE, THICK WALL	SS	G	T	
RSA-3510-085	47	MALE RIGHT ANGLE	SR1	FOR .085 SEMI-RIGID CABLE	N	G	T	
RSA-3510-1-085	47	MALE RIGHT ANGLE	SR1	FOR .085 SEMI-RIGID CABLE	G	G	T	
RSA-3510-141	48	MALE RIGHT ANGLE	SR2	FOR .141 SEMI-RIGID CABLE	N	G	T	
RSA-3510-1-141	48	MALE RIGHT ANGLE	SR2	FOR .141 SEMI-RIGID CABLE	G	G	T	
RSA-3550-085	49	FEMALE PANEL MOUNT	SR1	2 HOLE FLANGE FOR .085 SEMI-RIGID CABLE	N	G	T	
RSA-3550-1-085	49	FEMALE PANEL MOUNT	SR1	2 HOLE FLANGE FOR .085 SEMI-RIGID CABLE	G	G	T	
RSA-3555-1-047	50	FEMALE	SR0	FOR .047 SEMI-RIGID CABLE	G	G	T	
RSA-3555-1SR1	50	FEMALE	SR1	FOR .085 SEMI-RIGID CABLE	G	G	T	
RSA-3555-1SR2	50	FEMALE	SR2	FOR .141 SEMI-RIGID CABLE	G	G	T	
RSA-3555-SR1	50	FEMALE	SR1	FOR .085 SEMI-RIGID CABLE	N	G	T	
RSA-3555-SR2	50	FEMALE	SR2	FOR .141 SEMI-RIGID CABLE	N	G	T	
RSA-3560-1-047	51	FEMALE BULKHEAD	SR0	FOR .047 SEMI-RIGID CABLE	G	G	T	
RSA-3560-1-SR1	51	FEMALE BULKHEAD	SR1	REAR MOUNT, FOR .085 SEMI-RIGID CABLE	G	G	T	
RSA-3560-141	51	FEMALE BULKHEAD	SR2	REAR MOUNT, FOR .141 SEMI-RIGID CABLE	N	G	T	
RSA-3565-SR2	52	MALE	SR2	FOR .141 SEMI-RIGID CABLE	SS/G	—	—	
RSA-3570-085	53	FEMALE PANEL MOUNT	SR1	4 HOLE FLANGE FOR .085 SEMI RIGID CABLE	N	G	T	
RSA-3570-1-047	53	FEMALE PANEL MOUNT	SR0	4 HOLE FLANGE FOR .047 SEMI RIGID CABLE	G	G	T	